

Fiche 002610
 Contacts 002694
 AWG 30-22
 Pince : M15

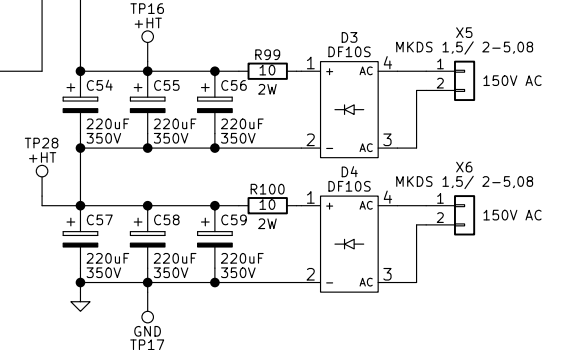
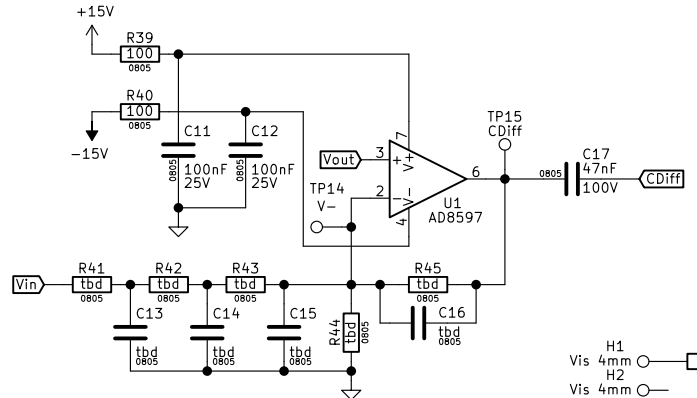
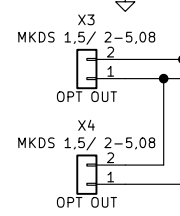
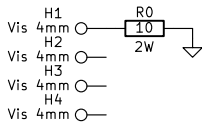
Toroidy TTG-KT88PP
 Nominal power : 80W
 Nominal anode current : 300mA
 Frequency bandwidth (-3dB) : 12Hz-56kHz
 Secondary inductance : 4, 8Ω
 Primary impedance : 4,0 kΩ
 Turns Ratio (Np:Ns) : 31,62:1(4Ω), 22,36:1(8Ω)
 Primary Inductance Lp : 427H
 Primary Leakage Inductance Lsp : 4,58mH
 Total Primary DC Resistance : 65,5 Ω
 Ultra Linear : 43%

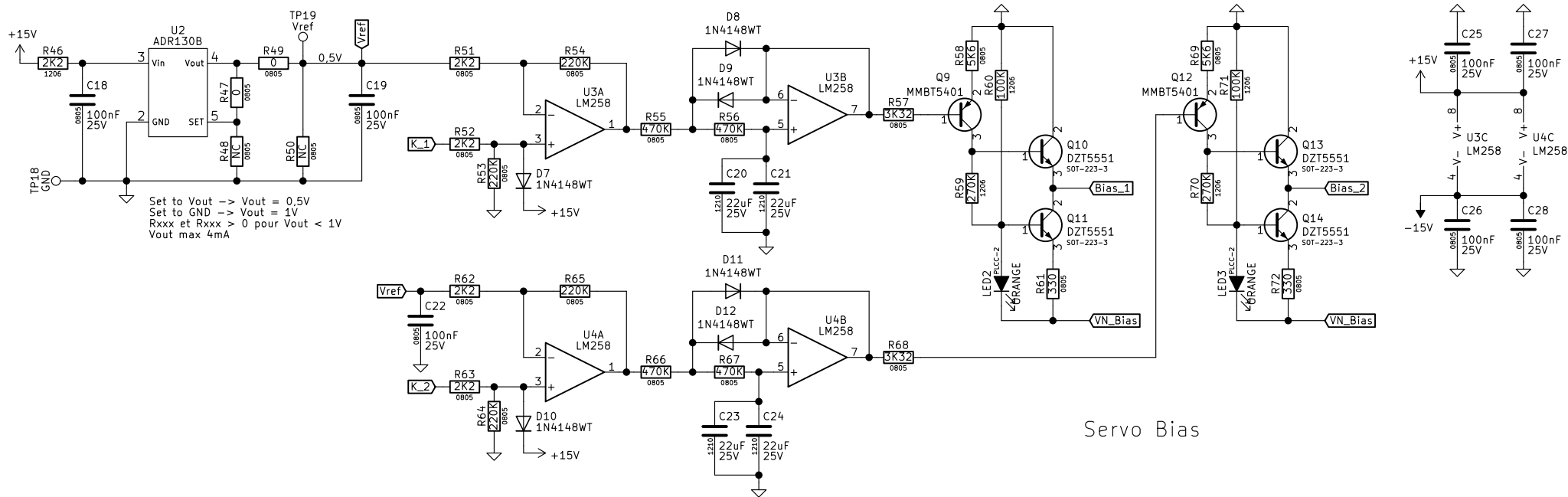
NC : Non Connecté
 TBD : To be defined
 FR : Farnell
 RS : Radiospares

<http://www.audiyofan.org/forum/viewtopic.php?t=9743>
<https://www.diyaudio.com/forums/tubes-valves/326920-el34-baby-huey-amplifier.html>
 From EL34 Baby Huey Amplifier
<https://creativecommons.org/licenses/by-nc-sa/4.0>

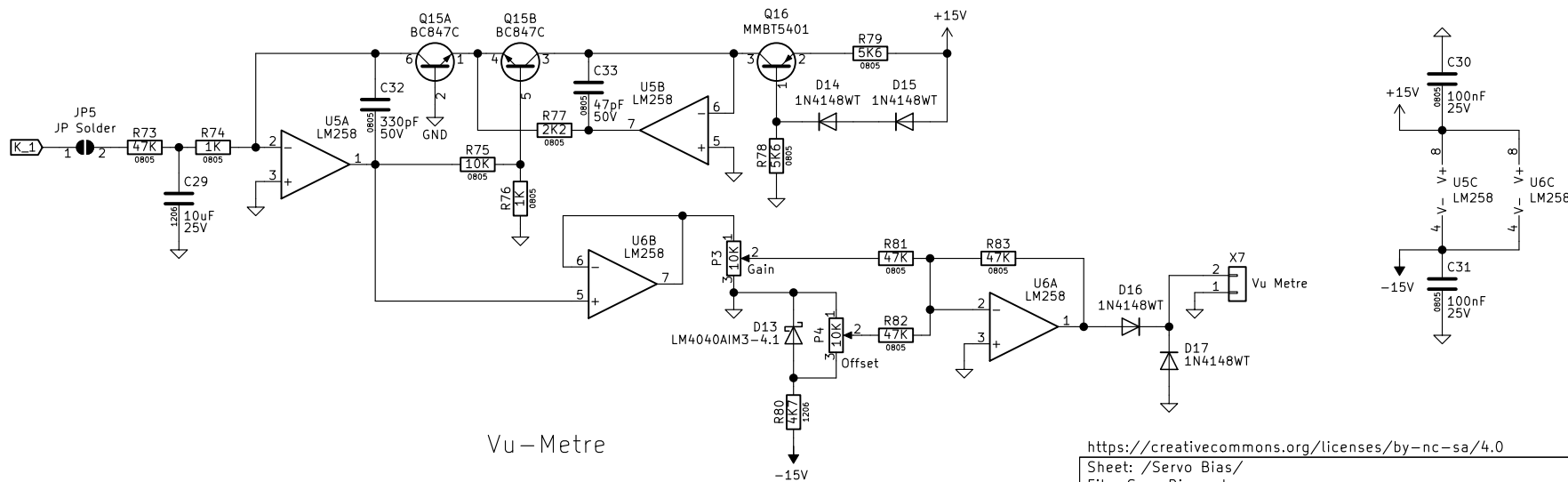
Sheet: /		Date: 2019-04-24	
File: Baby Huey 6550.sch		Rev: A	
Title: Push Pull 6550 / ECC83 Correction différentielle			
Size: A4	KiCad E.D.A. kicad 5.0.2-bee76a070ubuntu18.04.1		Id: 1/4

Correction Différentielle





Servo Bias



Vu-Metre

<https://creativecommons.org/licenses/by-nc-sa/4.0>

Sheet: /Servo Bias/
File: ServoBias.sch

Title: Push Pull 6550 / ECC83 Correction différentielle

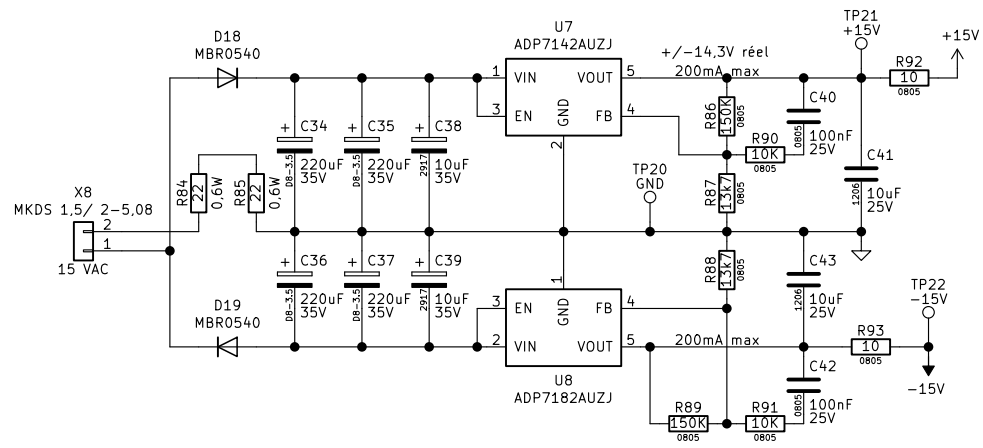
Size: A4

Date: 2019-04-24

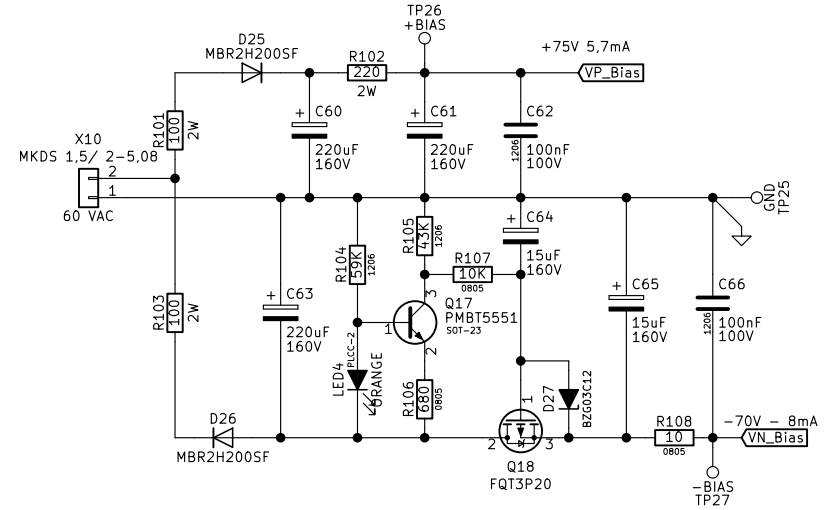
Rev: A

KiCad E.D.A. kicad 5.0.2-bee76a070ubuntu18.04.1

Id: 2/4



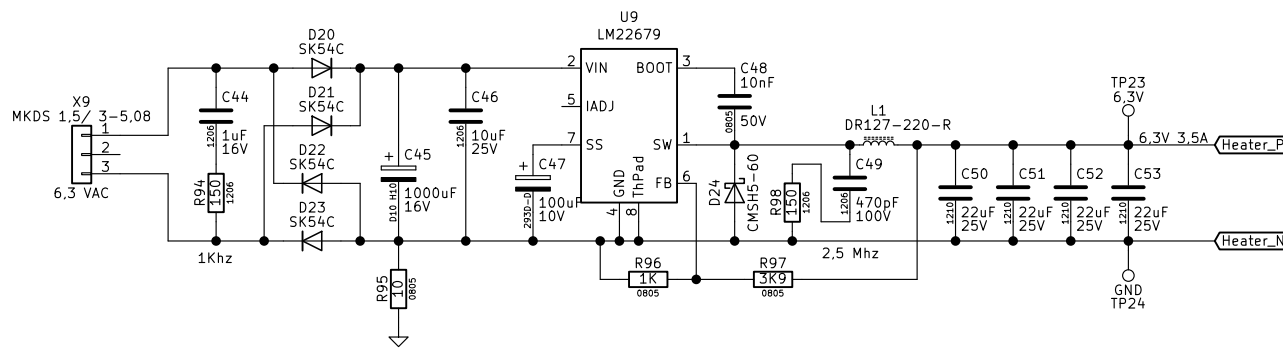
Alimentation +/- 15V



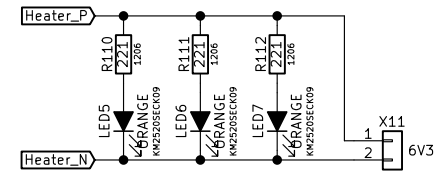
Alimentation +/- BIAS

Tube-Town 185VA Toroidal

Pri: 0-220-230-240 V (blue-black-orange-yellow)
 Sec 1: 150-0-150 V @ 0,4 A (Blue-white/green-red) - 2x 15 ohms
 Sec 2: 6,3 V @ 7,0 A (purple-black/CT: brown) - 0,1 ohms
 Sec 3: 60 V @ 0,1 A (grey) - 10 ohms
 Sec 4: 15 V @ 1,0 (orange) - 1,4 ohms
 GröÙe/Size: 118 x 60 mm
 TA40 / 50/60Hz EN 61558



Alimentation Filaments



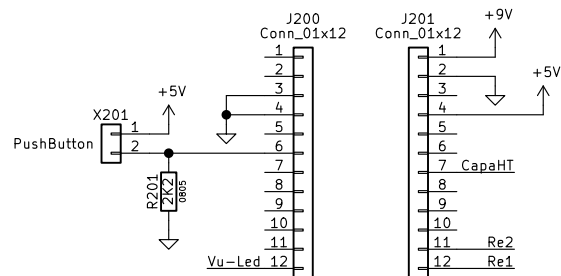
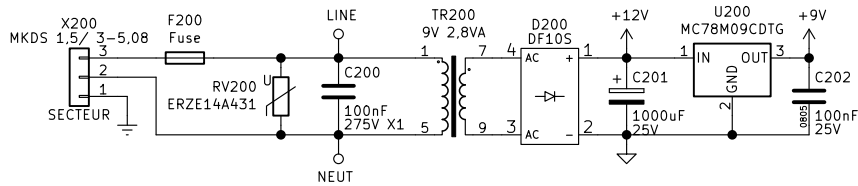
Lumière !

<https://creativecommons.org/licenses/by-nc-sa/4.0>

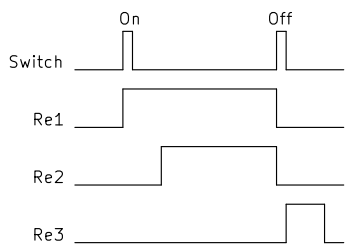
Sheet: /Alimentations/
 File: Alimentations.sch

Title: Push Pull 6550 / ECC83 Correction différentielle

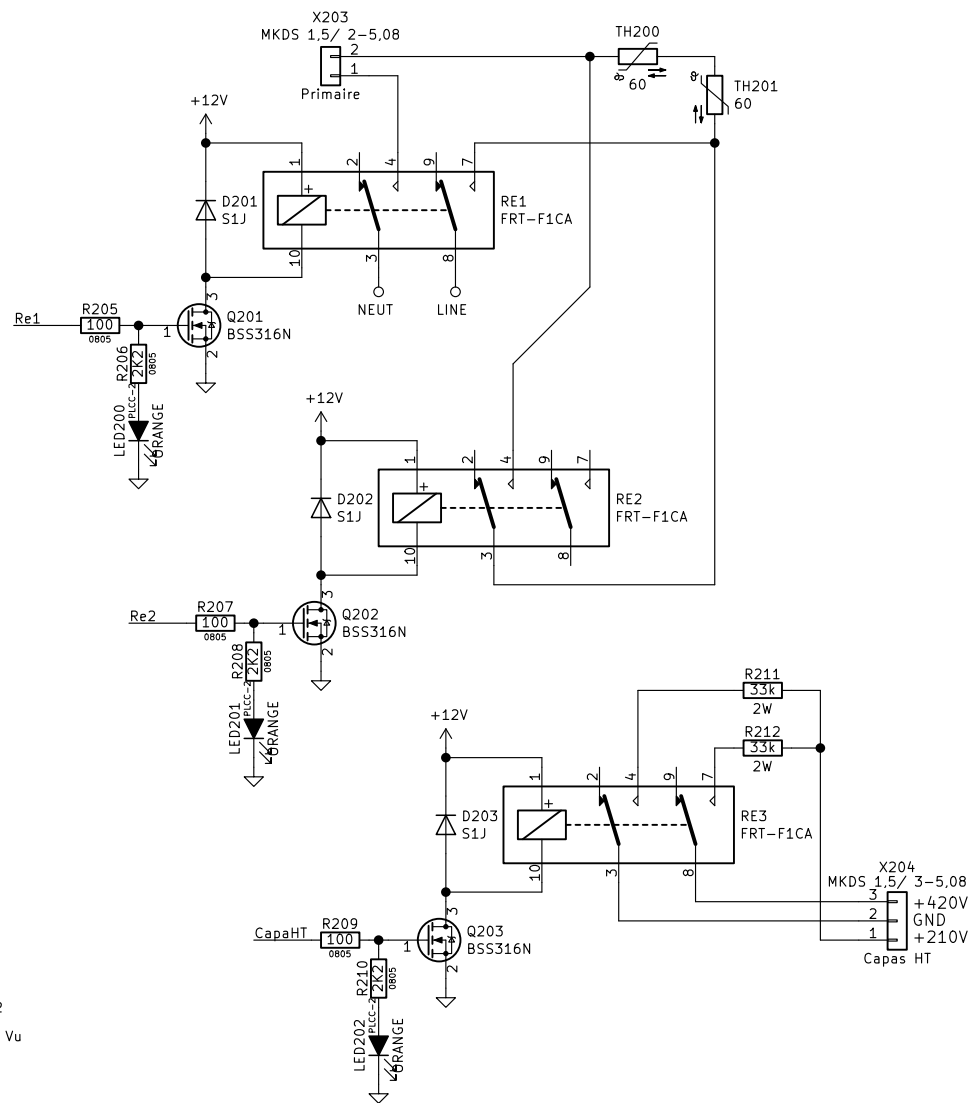
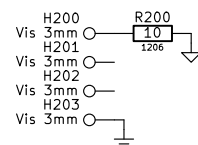
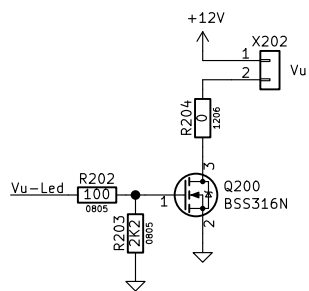
Size: A4 Date: 2019-04-24 Rev: A
 KiCad E.D.A. kicad 5.0.2-bee76a070ubuntu18.04.1 Id: 3/4



SparkFun Pro Micro 5V



Re1 : Mise sous tension du transformateur d'alimentation
 Re2 : Court-circuite les résistances de démarrage
 Re3 : Décharge les capas HT



<https://creativecommons.org/licenses/by-nc-sa/4.0>

Sheet: /PowerOn/
 File: PowerOn.sch

Title: Push Pull 6550 / ECC83 Correction différentielle

Size: A4 Date: 2019-04-24
 KiCad E.D.A. kicad 5.0.2-bee76a070ubuntu18.04.1

Rev: A
 Id: 4/4