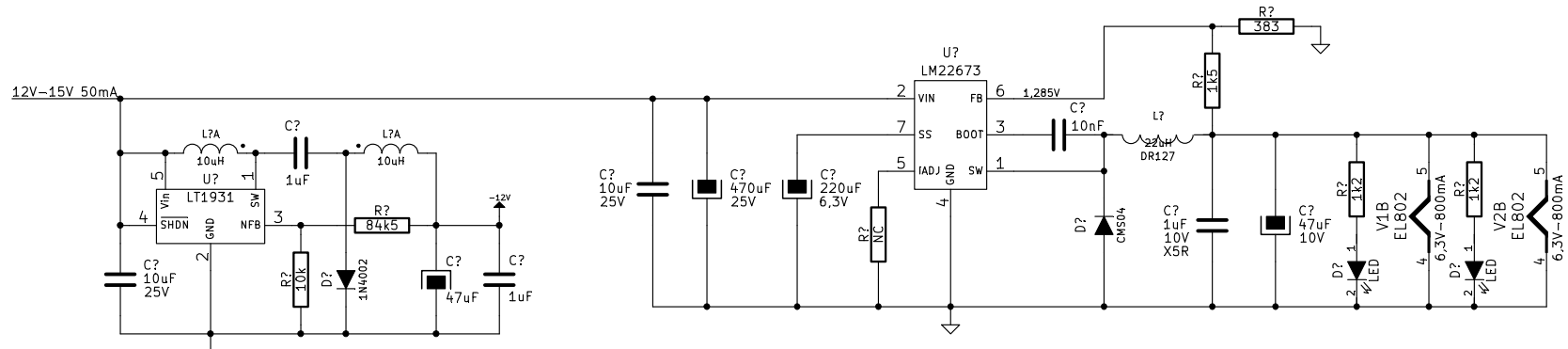


+500V 50mA
+1000V 200mA
-200V 50mA
10V 3,5A Flottant
10V 3,5A Flottant
+13,5V 1,5A

0805	125mW	150V
1206	250mW	200V
2512	1W	200V/500V
2512	2W	250V



- HV capacitor are WIMA MKP10
- -