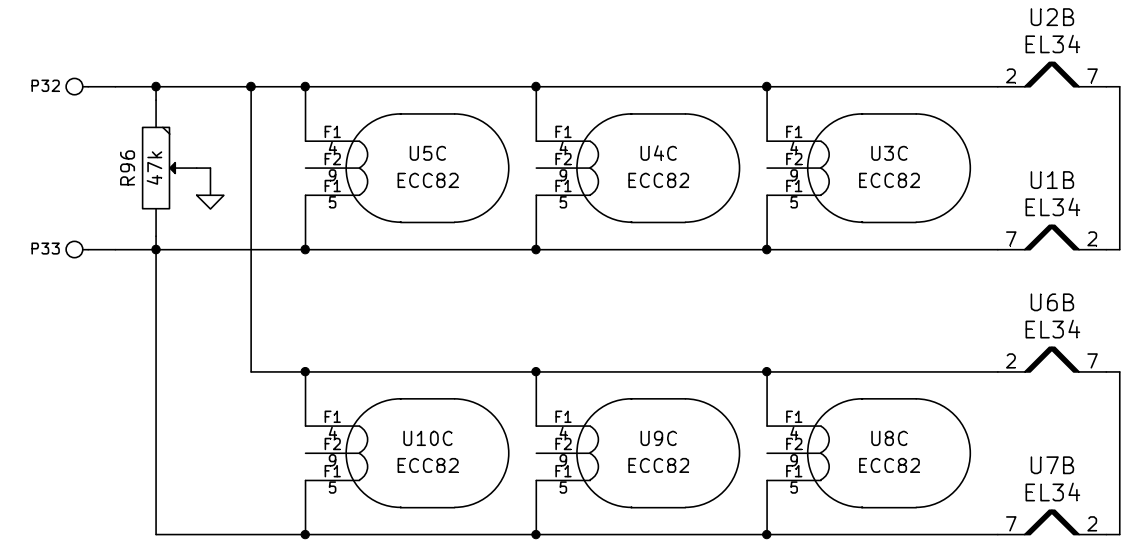
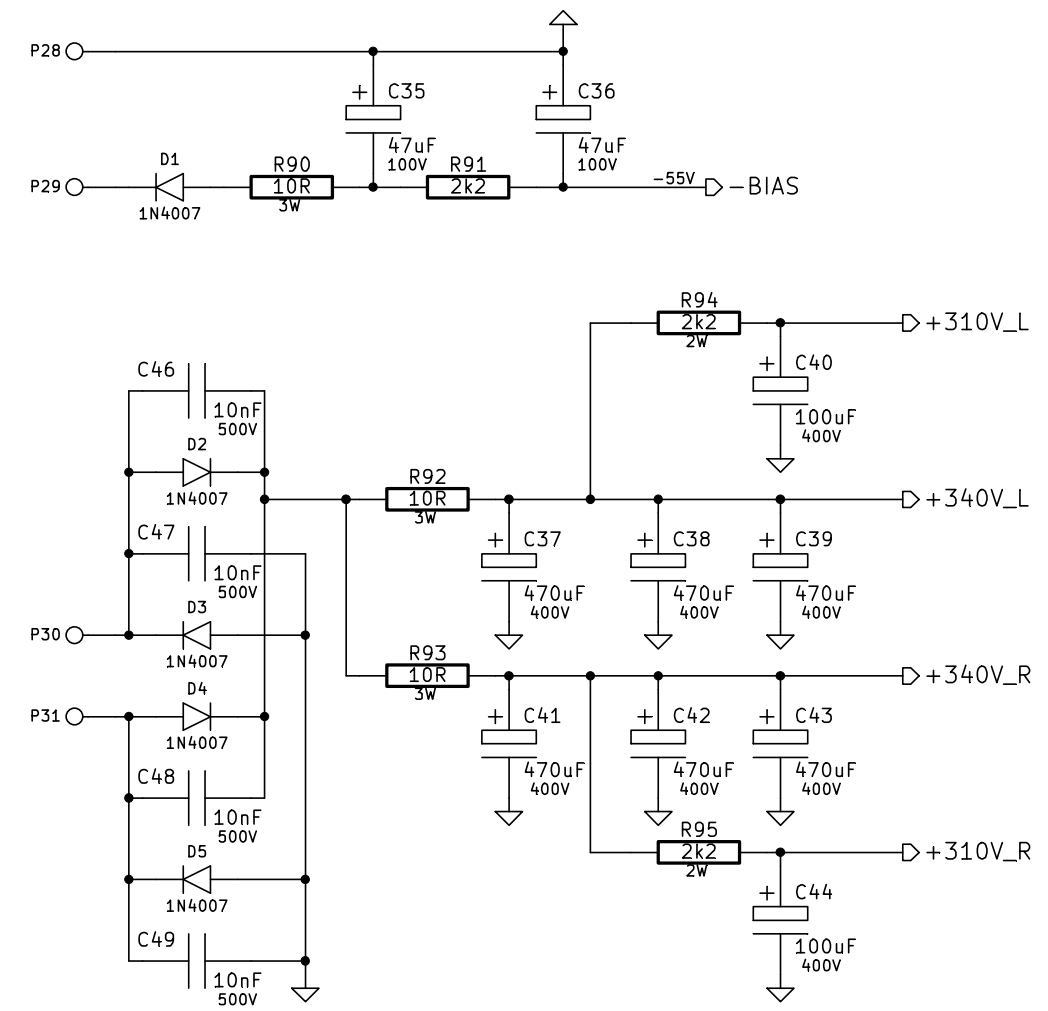
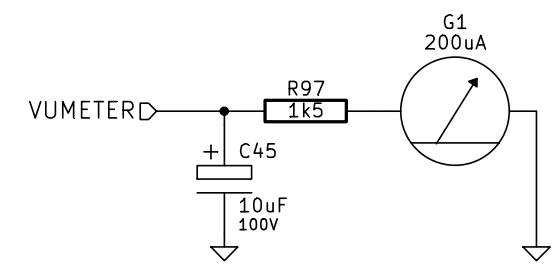
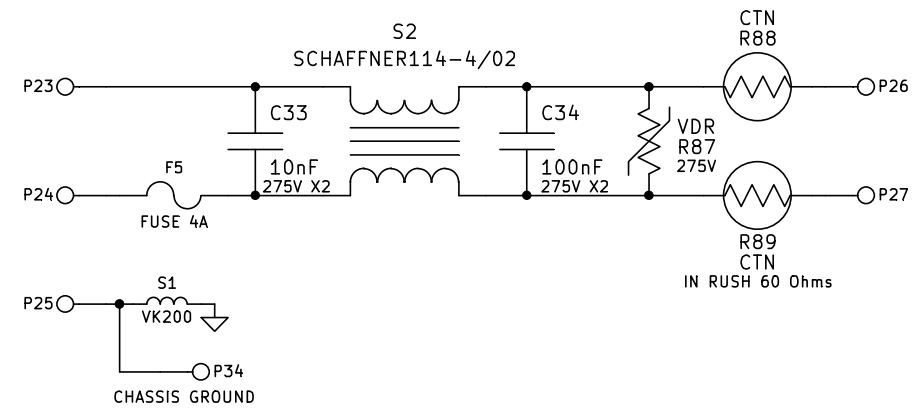


Sheet: ALIMS

+310V_LD
+340V_LD
-BIASD
VUMETERC
+340V_RD
+310V_RD

File: MEV-40W-ALims.sch



| | |
|--|---|
| File: MEV-40W-Alims.sch | |
| Sheet: /ALIMS/ | |
| Title: Ampli 40W | http://www.vander-elst.com/ |
| Size: A4 | Date: 8 oct 2010 |
| KiCad E.D.A. eeschema (20100314 SVN-R2460)-final | Rev: E |
| | Id: 2/2 |